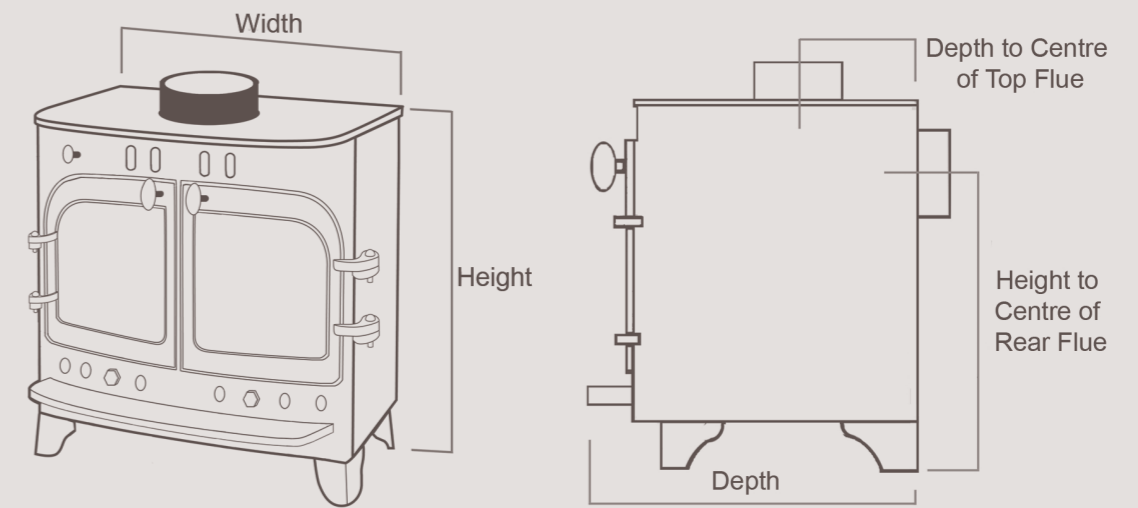


TECHNICAL INFORMATION



Description	Output	Height*		Width		Depth		Height to centre of rear flue		Back of stove to centre of top flue		Flue diameter		Weight Packed	Nett efficiency (wood)	Add-in boiler type	Add-in boiler output to water		Added height of add-on low canopy		Added height of add-on high canopy		Added height when on stand*1		Added height when on log store*1		
	kW	mm	inches	mm	inches	mm	inches	mm	inches	mm	inches	mm	inches	Kg	%	type	kW	BTU's	mm	inches	mm	inches	mm	inches	mm	inches	
Multi Fuel Stoves																											
Puffin	4	546	21 ½	330	13	355	14	452.5	17 ¾	93.5	3 ¾	102	4	48	78	AIB0	1.8	5973	-	-	-	-	-	-	-	-	-
Heron	5	558	22	370	14 ½	355	14	464.5	18 ½	93.5	3 ¾	102	4	51	76	AIB0	1.8	5973	-	-	-	-	-	-	-	-	-
Esprit Solo 5	5	508	20	474	18 ¾	363	14 ½	414	16 ½	98	4	102	4	70	77.5	AIBV018	1.6	5462	160	6 ¼	260	10 ¼	122	4 ¾	278	11	
Esprit Duo 5	5	508	20	474	18 ¾	363	14 ½	414	16 ½	98	4	102	4	70	77.5	AIBV018	1.6	5462	160	6 ¼	260	10 ¼	122	4 ¾	278	11	
Esprit Solo 7	7	520	20 ½	530	20 ¾	368	14 ½	414	16 ½	110	4 ½	127	5	80	72.15	AIBV019	1.6	5462	160	6 ¼	260	10 ¼	122	4 ¾	278	11	
Esprit Duo 7	7	520	20 ½	530	20 ¾	368	14 ½	414	16 ½	110	4 ½	127	5	81	72.15	AIBV019	1.6	5462	160	6 ¼	260	10 ¼	122	4 ¾	278	11	
Esprit Solo 8	8	560	22	608	24	355	14	449	17 ½	110	4 ½	127	5	90	80.4	AIBV016	2.9	9900	200	7 ¾	300	11 ¾	122	4 ¾	278	11	
Esprit Solo 10	10	575	22 ½	695	27 ½	372	14 ½	464	18 ½	110	4 ½	127	5	142	75.8	AIBV017	3.4	11607	200	7 ¾	300	11 ¾	122	4 ¾	278	11	
Chelsea Solo	5	495	19 ½	457	18	334	13 ¼	375	14 ¾	102	4	127	5	62	71.7	AIBV007	3.4	11625	143.5	5 ¾	236	9 ¼	-	-	-	-	
Chelsea Duo	5	495	19 ½	457	18	334	13 ¼	375	14 ¾	102	4	127	5	62	71.7	AIBV007	3.4	11625	143.5	5 ¾	236	9 ¼	-	-	-	-	
Bayswater Flat	6 to 7	540	21 ¼	601	23 ¾	360	14 ¼	425	16 ¾	137	5 ½	127	5	80	71.8	AIBV009	4.6	15629	180	7	260	10 ¼	-	-	-	-	
Elite Twin Flat	9	601	23 ¾	666	26 ¼	380	15	484	19	138	5 ½	152	6	95	76.1	AIBV008	3.7	12516	-	-	-	-	-	-	-	-	
Elite Twin Low	9	778	30 ¾	687	27	380	15	551	21 ¾	128	5	152	6	100	76.1	AIBV005	6.6	22494	-	-	-	-	-	-	-	-	
Elite Twin high	9	937	37	690	27 ¼	380	15	551	21 ¾	116	4 ½	152	6	104	76.1	AIBV005	6.6	22494	-	-	-	-	-	-	-	-	
Wood Stoves																											
C Flat Solo	5	495	19 ½	457	18	334	13 ¼	395	15 ½	102	4	127	5	60	79	AIBV006	4.1	13950	143.5	5 ¾	236	9 ¼	-	-	-	-	
C Flat Duo	5	495	19 ½	457	18	334	13 ¼	395	15 ½	102	4	127	5	60	79	AIBV006	4.1	13950	143.5	5 ¾	236	9 ¼	-	-	-	-	
Flatmate	8	575	22 ¾	573	22 ½	353	14	460	18	110	4 ¼	127	5	67	78.4	AIBV009	4.6	15629	180	7	260	10 ¼	-	-	-	-	
A Flat Wood	14	595	23 ½	699	27 ½	475	18 ¾	467.5	18 ½	135	5 ¼	152	6	85	71.5	AIBV001	4.7	15984	209	8 ¼	339	13 ¼	-	-	-	-	

Notes:

* - This measurement includes the height of the legs (where supplied) and is to the top of the stove only, when using top flue please add 100mm for the flue collar.

*1 - Will also increase height to centre of rear flue by same amount.